

# 6

---

## **S AND J GUIDEWAYS WITH NEEDLE ROLLER FLAT CAGE ASSEMBLY**



**A MATERIAL**

Hardened tool steel 1.2842 HRc 58 – 62.

**B QUALITY**

The raceways and locating faces are precision ground.

The guideways are available in 3 qualities (parallelism tolerance of the raceways on the reference sides of the guideway in relation to a defined length).

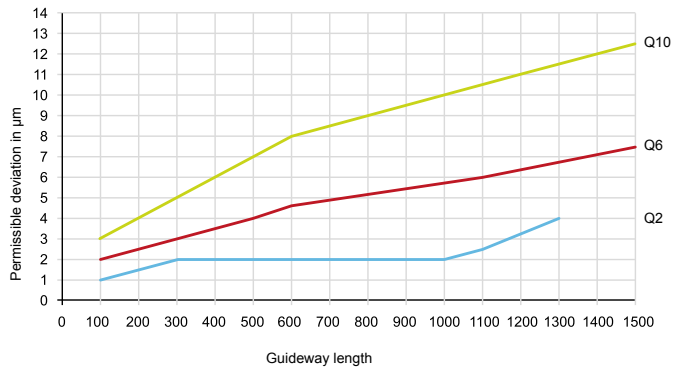
- Q10: normal quality for general machine construction
- Q6: precise quality for machine tool construction
- Q2: particularly precise quality for exceptionally demanding structures

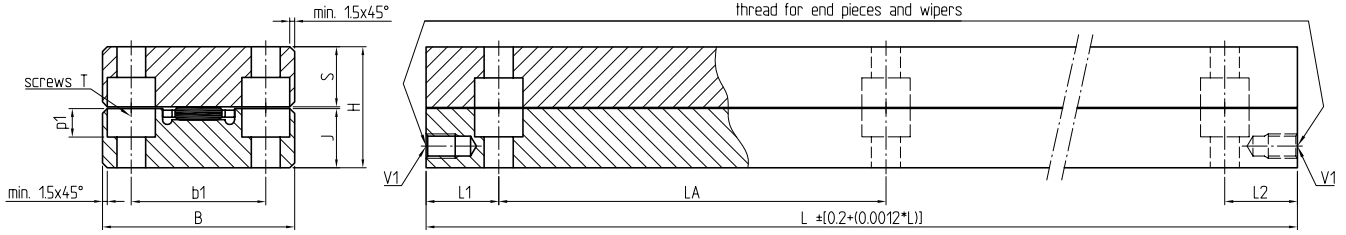
**IMPORTANT INFORMATION**

The correct functioning of the guideways is dependent above all on the precision of the locating faces.

**MATCHING IN SETS**

Matching in sets “M/V/S/J” (4SX) when an order is placed allows for installation without insert plate or ML guideway. The guideways are labelled by sets. The tolerance of the height difference must be maintained with the connecting parts in this case.





DIMENSIONS IN MM

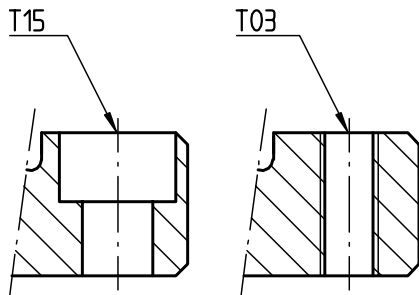
Type	Dimensions				Fixing holes							Threads
	H	B	S	J	Screws T****		b1	p1	LA***	L1***	L2**	V1
	0/-0.2	0/-0.2			T15	T03				min.	min.	
S3525	25	35	13	-	M5	M6	22	(5.7)	80*	15	15	-
J3525	25	35	-	11.8	M5	M6	22	(5.7)	80*	15	15	M5
S4025	25	40	12.5	-	M5	M6	28	(5.7)	80*	15	15	-
J4025	25	40	-	12.3	M5	M6	28	(5.7)	80*	15	15	M5
S5030	30	50	15	-	M6	M6	35	(6.8)	100*	15	15	-
J5030	30	50	-	14.8	M6	M6	35	(6.8)	100*	15	15	M6
S5530	30	55	14.5	-	M6	M6	40	(6.8)	100*	15	15	-
J5530	30	55	-	15.3	M6	M6	40	(6.8)	100*	15	15	M6

\* S/J3525: length (L) 100mm, hole distances (LA) = 50mm  
 S/J4025: length (L) 100mm, hole distances (LA) = 50mm  
 S/J5030: length (L) 100mm, hole distances (LA) = 50mm  
 S/J5530: length (L) 100mm, hole distances (LA) = 50mm

\*\* L1 and L2 are the same size at both ends of the guideway and dependent on the guideway length without any specific requests being made.

\*\*\* The tolerance of the hole distances (LA) is in proportion to the length tolerance

\*\*\*\* 2 hole types in the guideways for screw size T (according to the drawing below)



T15: Sinkhole for screws ISO 4762  
 T03: Threaded hole

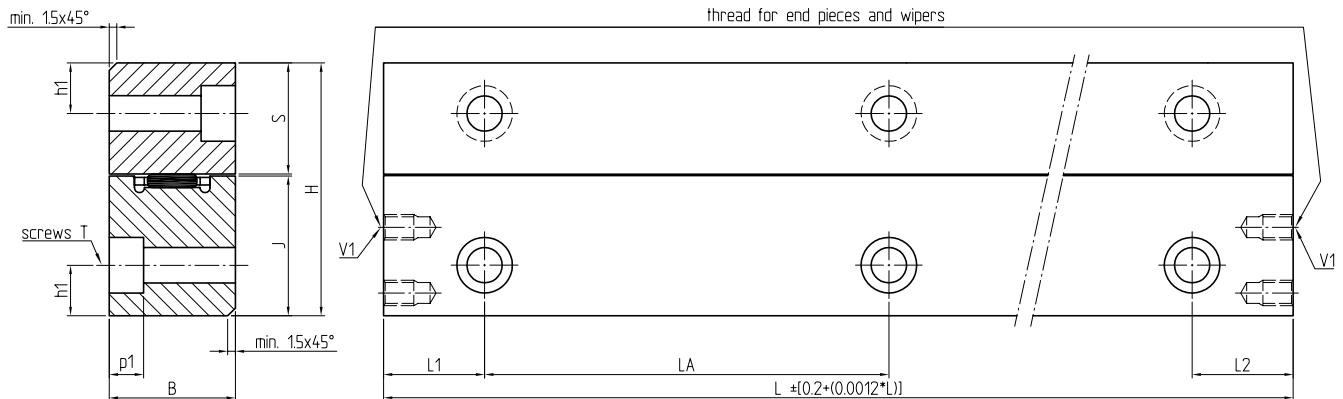
STANDARD LENGTHS (MM)

Dimensions		100	200	300	400	500	600	700	800	900	1000	Made-to-measure lengths up to L max.
<b>S3525</b>	<b>J3525</b>	○	○	○	○	○	○	○	○	○	○	1300
<b>S4025</b>	<b>J4025</b>	○	○	○	○	○	○	○	○	○	○	1300
<b>S5030</b>	<b>J5030</b>	○	○	○	○	○	○	○	○	○	○	1300
<b>S5530</b>	<b>J5530</b>	○	○	○	○	○	○	○	○	○	○	1300

○ = ex stock, non-hardened, non-ground  
 Special lengths available on request

CAGE ALLOCATION

Guideways	Rolling elements	Plastic	Aluminium	Steel	Brass	Brass (with damping)
<b>S/J3525</b>	Needle rollers	E-FF2010	E-H10	E-H10 F	E-H10 MS	E-HG10
<b>S/J4025</b>	Needle rollers Cylindrical rollers	E-FF2515	E-H15 E-HB2515	E-H15 F	E-H15 MS	E-HG15
<b>S/J5030</b>	Needle rollers Cylindrical rollers	E-FF3020	E-H20 E-HB3020	E-H20 F E-BF3020	E-H20 MS	E-HG20
<b>S/J5530</b>	Needle rollers Cylindrical rollers	E-FF3525	E-H25 E-HB4025	E-H25 F	E-H25 MS	E-HG25



DIMENSIONS IN MM

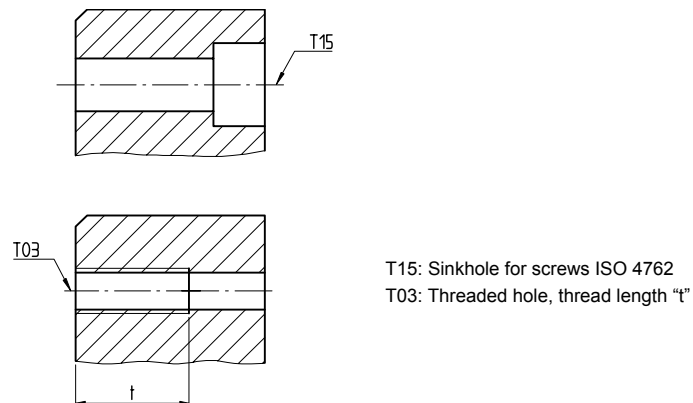
Type	Dimensions				Fixing holes							Threads
	H 0/-0.2	B 0/-0.2	S	J	Screws T ****	h1	p1	t min.	LA***	L1** min.	L2** min.	V1
S5025	50	25	22	-	M6	10	(6.8)	15	80*	20	20	-
J5025	50	25	-	27.7	M6	10	(6.8)	15	80*	20	20	M6
S6035	60	35	25	-	M8	11	(9)	20	100*	20	20	-
J6035	60	35	-	34.7	M8	11	(9)	20	100*	20	20	M6
S7040	70	40	30	-	M10	13	(11)	25	100*	20	20	-
J7040	70	40	-	39.7	M10	13	(11)	25	100*	20	20	M6
S8050	80	50	35	-	M12	14	(13)	30	100*	20	20	-
J8050	80	50	-	44.7	M12	14	(13)	30	100*	20	20	M6

- \* S/J5025: length (L) 100mm, hole distances (LA) = 50mm
- S/J6035: length (L) 100mm, hole distances (LA) = 50mm
- S/J7040: length (L) 100mm, hole distances (LA) = 50mm
- S/J8050: length (L) 100mm, hole distances (LA) = 50mm

\*\* L1 and L2 are the same size at both ends of the guideway and dependent on the guideway length without any specific requests being made

\*\*\* The tolerance of the hole distances(LA) is in proportion to the length tolerance

\*\*\*\* 2 hole types in the guideways for screw size T (according to the drawing below)



T15: Sinkhole for screws ISO 4762  
T03: Threaded hole, thread length "t"

STANDARD LENGTHS (MM)

Dimensions		100	200	300	400	500	600	700	800	900	1000	Made-to-measure lengths up to L max.
<b>S5025</b>	<b>J5025</b>	○	○	○	○	○	○	○	○	○	○	1000
<b>S6035</b>	<b>J6035</b>	○	○	○	○	○	○	○	○	○	○	1000
<b>S7040</b>	<b>J7040</b>	○	○	○	○	○	○	○	○	○	○	1300
<b>S8050</b>	<b>J8050</b>	○	○	○	○	○	○	○	○	○	○	1300

○ = ex stock, non-hardened, non-ground  
 Special lengths available on request

CAGE ALLOCATION

Guideways	Rolling elements	Plastic	Aluminium	Steel	Brass	Brass (with damping)
<b>S/J5025</b>	Needle rollers	E-FF2515	E-H15	E-H15 F	E-HG15	E-HG15
<b>S/J6035</b>	Needle rollers	—	E-H24 ZW	E-H24 ZW F	E-H24 ZW MS	—
<b>S/J7040</b>	Needle rollers	—	E-H34 ZW	E-H34 ZW F	E-H34 ZW MS	—
<b>S/J8050</b>	Needle rollers	—	E-H44 ZW	E-H44 ZW F	E-H44 ZW MS	—